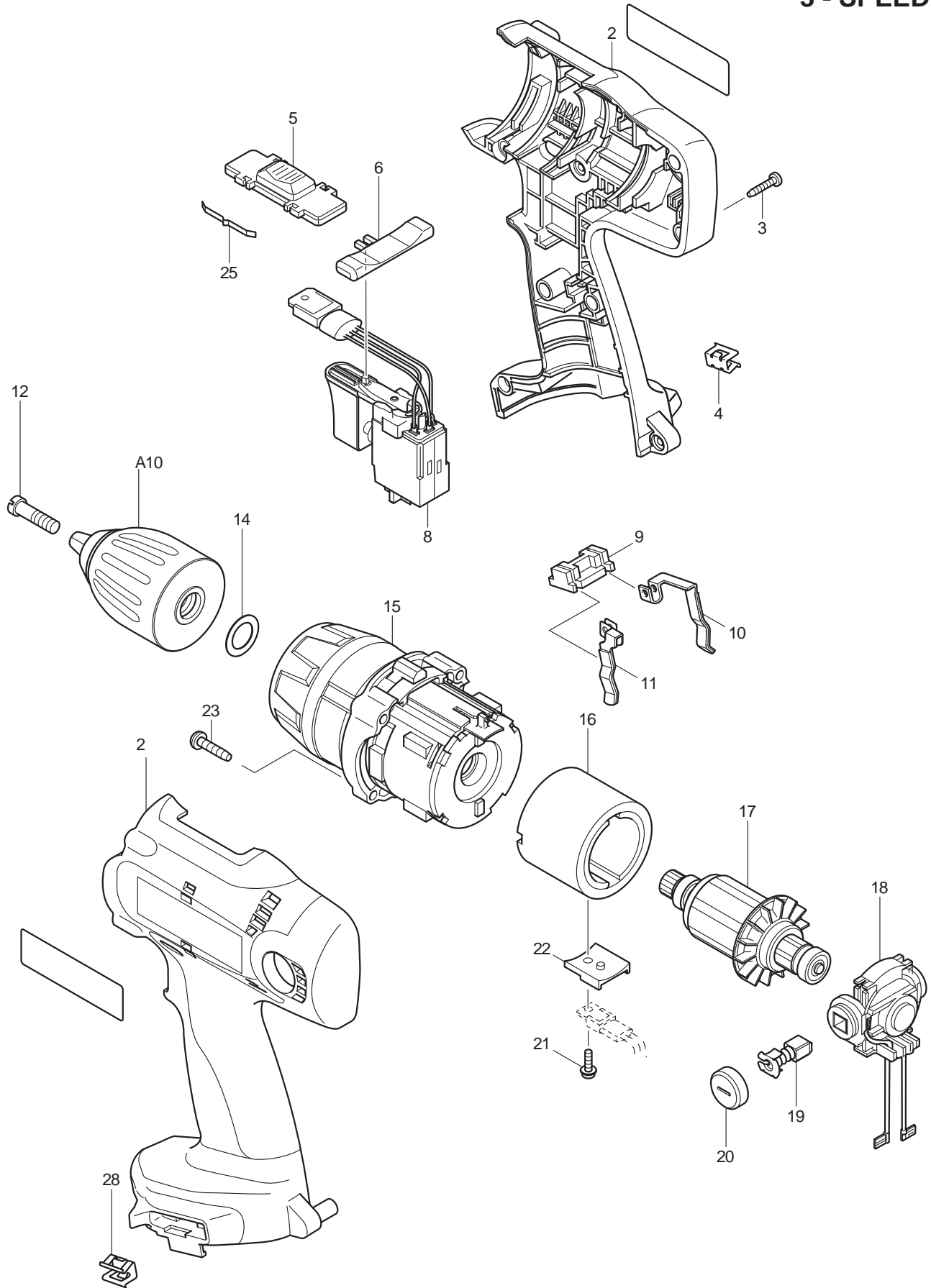




02 - 2010  
6339DWFE  
14.4V 1/2" DRIVER DRILL KIT  
3 - SPEED



Item No	Type	Ref	Part No	Description	Qty	Unit
001			860954-1	NAME PLATE 6339D	1	PC.
002			183970-9	HOUSING SET	1	SET
003			266130-9	TAPPING SCREW BIND PT 3X16	9	PC.
004			344391-2	* BIT HOLDER	1	PC.
005	1		125261-2	* SPEED CHANGE LEVER ASS'Y	1	PC.
	2		125434-7	SPEED CHANGE LEVER ASS'Y	1	PC.
006			418753-1	F/R CHANGE LEVER	1	PC.
008			650559-3	SWITCH C3LA-2A-ED	1	PC.
009			687085-9	HOLDER	1	PC.
010			654168-0	SPRING TERMINAL (+)	1	PC.
011			654169-8	SPRING TERMINAL (-)	1	PC.
012			251464-3	- FLAT HEAD SCREW M6X22	1	PC.
014			253798-0	* FLAT WASHER 13	1	PC.
015	3		125432-1	* GEAR ASS'Y	1	PC.
		INC.	419558-2	* SPEED CHANGE RING	1	PC.
		INC.	268199-9	* PIN 1.4	2	PC.
		INC.	450385-8	CHANGE LEVER	1	PC.
016	2		638627-2	YOKE UNIT	1	PC.
018			638375-3	ENDBELL COMPLETE	1	PC.
019	2		195018-5	CARBON BRUSH CB-430, 2PCS/SET, W/ ORIGIN	1	SET
020	2		643929-3	BRUSH HOLDER CAP	2	PC.
021			266282-6	TAPPING SCREW ST3X10	1	PC.
022			689136-4	FET SPACER	1	PC.
023			266045-0	TAPPING SCREW 4X20	4	PC.
025			232220-0	LEAF SPRING	2	PC.
028			344391-2	BIT HOLDER	1	PC.
117			629829-1	ARMATURE	1	PC.

#### **ACCESSORIES**

- See catalogue or visit [www.makita.ca](http://www.makita.ca) for more accessories information -

A01			122712-6	GRIP ASS'Y	1	PC.
		INC.	152624-9	GRIP 36 COMPLETE	1	PC.
		INC.	266349-0	SQUARE BOLT M8X50	1	PC.
		INC.	345463-6	GRIP SPRING 60	1	PC.
		INC.	418768-8	GRIP BASE	1	PC.
A02			414938-7	BATTERY COVER	2	PC.
A03	2		DC1804	CHARGER DC1414(7.2-14.4V/1.3-3.0AH)	1	PC.
A04			193139-7	14.4V NI-MH BATTERY 1435	2	PC.
A05			784637-8	+ - BIT 2-45 (OLD) (USE 1pc/784639-4 & 1pc/784640-9)	2	PC.
A06			824763-2	PLASTIC CARRYING CASE (OLD# 824534-7 - N/L/A)	1	PC.
A06		INC.	163455-1	LATCH	2	PC.
A07			324362-5	HOOK (OLD# 194156-0 - N/L/A)	1	PC.
A08			784639-4	SQUARE BIT (Added)	1	PC.
A09			784640-9	SQUARE BIT S2-S3 (Added)	1	PC.
A10			763191-5	1/2" KEYLESS DRILL CHUCK	1	PC.

**SERVICE CHANGES**

**1. Changes on**

Item No.	Description	Type 1	Type 2	Type 3
15	Gear Assy	125284-0	125340-6	125432-1
Component of Item No.15	Speed Change Ring	418763-8	419558-2	
	Pin 1.2 / Pin 1.4	268088-8		268199-9
	Change Lever	-----	419557-4	450385-8
5	Speed Change Lever Assy	125261-2		125434-7

Above parts are completely interchangeable as a set.

**Gear Assy Type 1 (Color of Lot No. : White)**

Shape of gear assy



Four holes

Shape of gear assy



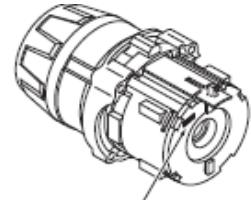
Speed change ring

**Gear Assy Type 2 (Color of Lot No. : Silver)**

Two holes are deleted



Steps

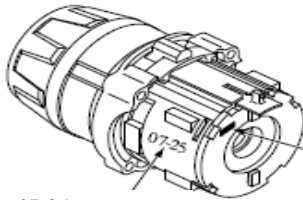


Black colored mark for the distinction from Type1.



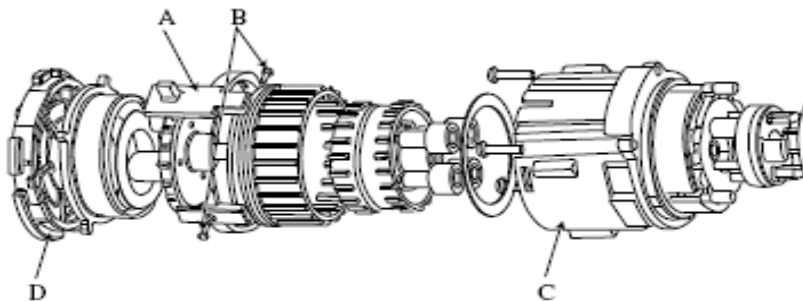
Rounded  
Speed change ring

**Gear Assy Type 3 (Lot No. 07-25 ~)**



Blue colored mark for the distinction from Type1 & Type2

Lot No. 07-25 ~

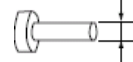


**A: Change Lever**



Rib has been added  
Holes for Pins have been enlarged

**B: Pin 1.4**



Old : Pin 1.2 (1.2mm)  
New : Pin 1.4 (1.35mm)

**C: Gear case A**  
**D: Motor Bracket**

Gear case A and Motor bracket are changed. Factory-assembled with the other components. Supplied as the new gear assy.